

RP-E-1804

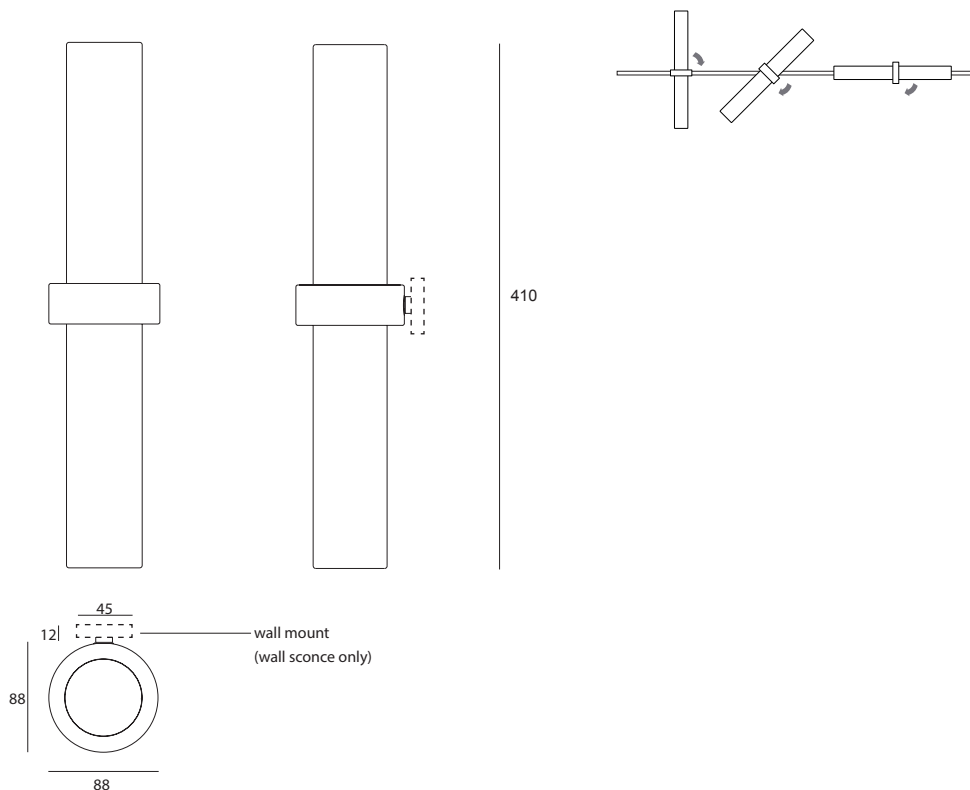
Typography CILON Staff



Typography CILON STAFF

SELECTION 1 - DIMENSIONS

CILON STAFF



DIMENSIONS IN MILLIMETRES

SELECTION 2 - FINISH

Black Anodised

Golden Anodised

PRODUCT TECHNICAL SPECIFICATION

NAME: CILON STAFF
 DESIGN: STUDIO TRULY TRULY
 STYLE: AREA ILLUMINATION
 WEIGHT: 680g
 MATERIALS & FINISH: ANODISED ALUMINIUM // GLASS DIFFUSER

LIGHT SOURCE: INTEGRATED CREE LED ARRAY // 6W // 700lm (MODULE) // 2700K // CRI90
 POWER SUPPLY RAIL: POWERED FROM 48VDC TYPOGRAPHY RAIL (REFER TYPOGRAPHY SYSTEM DATA SHEET)
 POWER SUPPLY WALL: POWERED DIRECTLY FROM REMOTE INSTALL DRIVER (MAX. 10M DISTANCE FROM FITTING)
 DIMMING RAIL: STANDARD CAPABILITY - SWITCH-DIM (ALL LIGHTS ON A RAIL DIM TOGETHER)
 STANDARD CAPABILITY - DALI (EACH LIGHT ON A RAIL DIMS INDEPENDENTLY)
 ON REQUEST - 0-10V (ALL LIGHTS ON A RAIL DIM TOGETHER)
 ON REQUEST - TRIDONIC CASAMBI WIRELESS BASICDIM (4 PRESET SUBGROUPS DIM INDEPENDENTLY)
 DIMMING WALL: STANDARD CAPABILITY - PHASE CUT
 STANDARD CAPABILITY - 1-10V
 ON REQUEST - SWITCH-DIM
 ON REQUEST - DALI
 MOUNTING: TYPOGRAPHY RAIL (REFER TO SYSTEM DATA SHEET)
 TYPOGRAPHY WALL MOUNT



Studio Truly Truly is a design studio operating from the Netherlands, founded by Australian designers Joel & Kate Booy. Positioned on the interface between industry and art, the studio specialises in creating artistic products for the living environment.

Rakumba has been producing custom-made feature lighting for the Australian design industry since 1968. Collaborating with designers across a wide range of sectors from commercial to residential, we take pride in our bespoke service, attention to design detailing and ability to deliver on any scale of project.

©2018 Rakumba Lighting Pty Ltd